

CCM Technical Maintenance Bulletin



Bulletin 12 - November 13, 2012

Reporting of Errors

Your help can improve this bulletin. If you find mistakes or you know of a way to improve the procedures, please let us know at mnr@ccmpool.com



All CCM repair vendors are required to comply with Safety & Security Regulations imposed by Terminal Operators where work is performed, in accordance with the License Agreement and Article 5.8 of the Form Agreement D.

Are you registered with DRS?

All truckers and depots are encouraged to register no later than June 1, 2010. For details visit us at www.chassis.com



This bulletin approved by:

James Reo
Director of Maintenance
320 Croft Crossing
Chesapeake, VA 23320

Phone: 757-613-2893
Fax: 757-842-6897
E-mail: jreo@ccmpool.com

Hutchens Rocker Replacement

Summary

In recent audits it has become apparent that additional attention needs to be paid to the condition and maintenance of equalizers. To this end please note the following Service Bulletin issued by Hutch in 2004. It is our recommendation that this service bulletin be reviewed with all mechanics and a hard copy provided to all repair vendors for future reference. All mechanics performing repairs on CCM pool chassis should be briefed and properly trained to ensure compliance with this and all CCM publications.



ENGINEERING BULLETIN

November 24, 2004

Replacement of Hutchens Rockers due to Bushing Wear

The normal operation of the spring suspension will eventually require replacement of the rocker. If the spring wear areas at the end of the rocker are worn away, or if the rocker has begun to crack in any location due to wear or loading, the rocker should be replaced regardless of the condition of the bushing.

This guideline is specifically intended to help determine when a Hutchens rocker should be replaced because of bushing wear.

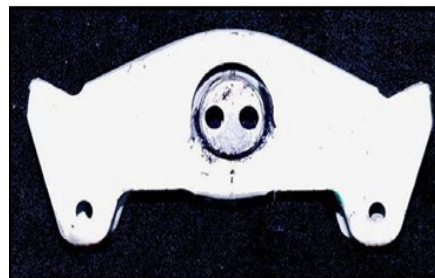


Photo 1: 7700 style 2-bolt rocker with worn bushing.



Photo 2: Close-up of worn bushing.

Hutchens Rocker Replacement

A 7700 style 2-bolt rocker bushing is shown in photos 1 and 2. As the rocker is exposed to loading, articulation, and the elements, the rubber on the bottom of the bushing will eventually be displaced and/or wear away. This allows the rocker to move up in the hanger toward the trailer frame, but the rocker will still pivot around the steel core of the bushing.

When the rubber wears away, the rocker may appear to become loose in the hanger. It is possible that the rocker can be easily moved by hand, and may even appear to “rattle” in the assembly.

Even though the rocker will be loose in the hanger as the rubber wears away, it is not necessary to replace the assembly unless the steel core of the bushing is in contact with the steel hub of the rocker, or if the rocker is in a bind in the hanger and will not rotate. Note in photo 2 how the steel core of the bushing is closer to the rocker hub on the bottom side, but that there is still rubber between the two components. This rocker is still serviceable.

Replacement should occur before the rocker becomes worn through the bottom, and before the hanger becomes damaged from contact with the rocker. The sketches on the following page will provide guidelines for determining if replacement of the rocker is necessary.

When the rocker moves upward in the hanger toward the positions shown in Figures 2 and 4, metal to metal contact is imminent either at the bushing, or at the top of the rocker. When the rocker is in contact with the top of the hanger as shown in Figure 4, it can no longer articulate and equalize the axle loads. In both cases, the rocker should be replaced before further damage occurs. Prior to this amount of displacement, the rockers are still functional although the articulation may be limited.

Both the 7700 (2-bolt) and 9700 (single bolt) rockers are shown level with the frame. These dimensions should be used to identify rockers that should be replaced because of worn rocker bushings.

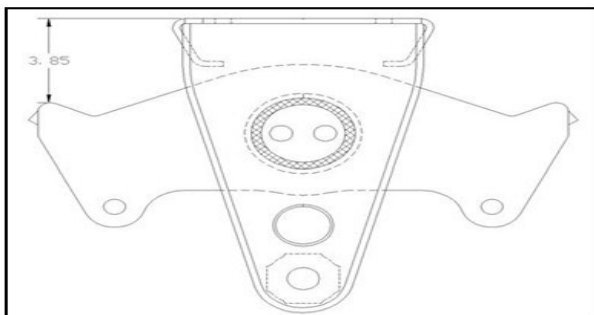


Fig. 1: 7700 Rocker with new bushing.

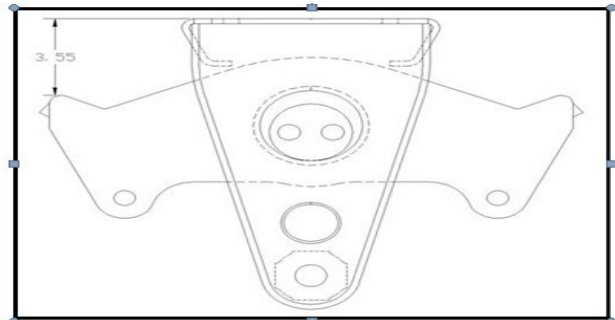


Fig. 2: 7700 Rocker with worn bushing.

Hutchens Rocker Replacement

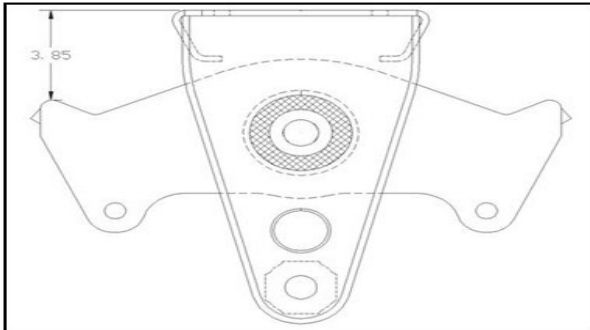


Fig. 3: 9700 Rocker with new bushing.

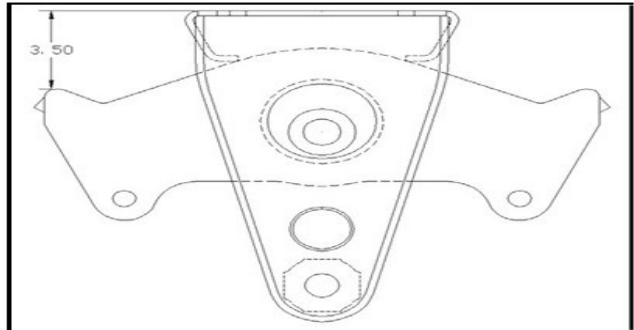


Fig. 4: 9700 Rocker with worn bushing.

Should you have any questions about this bulletin please contact Dave Green at (610) 438-2657 or Hutchens Industries at 1-800-654-8824.